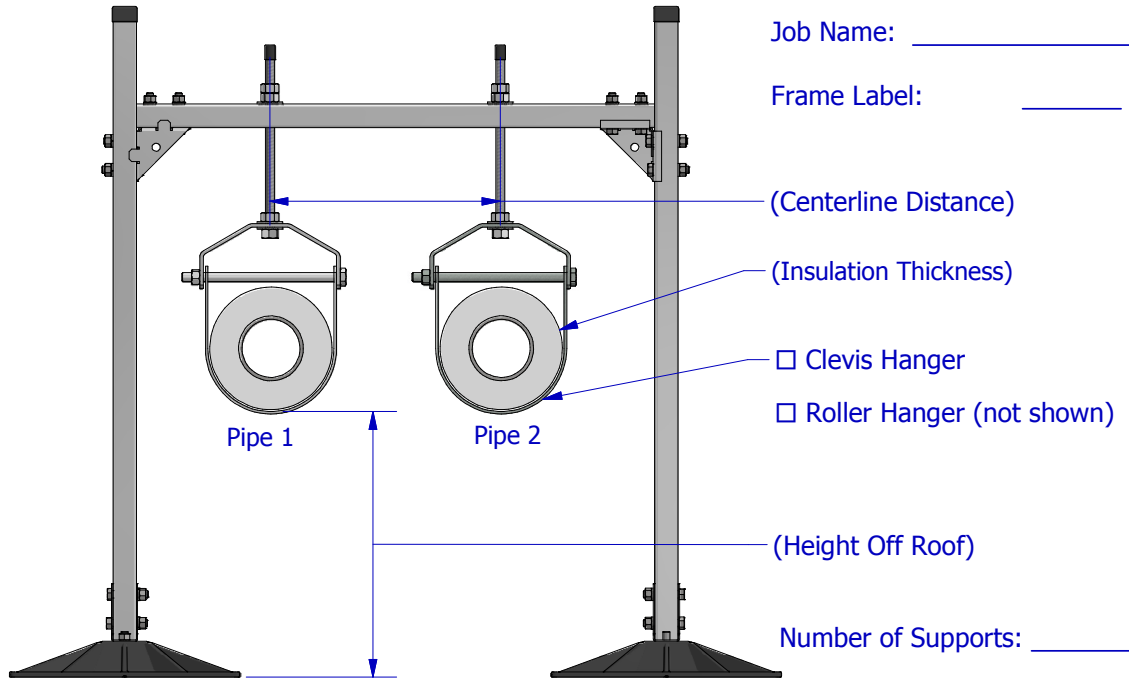




HANGER QUOTE TEMPLATE



	Pipe 1	Pipe 2	Pipe 3	Pipe 4
Pipe Size				
Insulation Thickness				
Pipe Type				
Pipe Contents				
Clevis Size				
Height Off Roof				
Centerline Distance				

KEY INFORMATION

- Water and Steam supports are designed for single or multiple pipes, single tier or multiple tier and for various heights.
- The Hanger series support is engineered to ensure member/component capacities and deflection criteria are not exceeded.
- Maximum loading from any MIRO base to the finished roof surface is not to exceed 2.0 psi unless specifically allowed otherwise in the project specification. Deflection in the horizontal header bar is not to exceed the span length by 360 or 1/8.
- Recommended spacing is not to exceed 10 feet centers depending upon the load. Make certain each pipestand is properly elevated to even loadweight at all pipestands.
- Width and height are built job specific based on information provided to MIRO Ind.
- Base Material: Polycarbonate
- All metal parts are hot dip galvanized

ACCESSORIES

- Support pad or deck plate
- Cross bracing

This document, attachments, and all of the information therein are the property of MIRO Industries, Inc. The information contained is loaned, subject to return upon demand, and is not to be used directly or indirectly in any way detrimental to our interest. Further the information contained therein shall not be used, in whole or in part, except when allowed by written authorization from MIRO Industries, Inc. © MIRO INDUSTRIES, INC. 2003-2014

HANGER QUOTE TEMPLATE