

SPIRAL OVAL



Spiral Oval ductwork combines the advantages of Rectangular ductwork's ability to fit into restricting spaces, while offering efficiencies comparable to Spiral ductwork. Oval is ideal for your coordinated projects and provides excellent aesthetics to your design.

MKT is a major manufacturer of Commercial and light Industrial Ductwork, and HVAC materials. We use the latest equipment and strategic processes to produce large volumes of high-quality products. Focused on providing excellent customer service, we ensure that all projects receive comfort and quality through our expertise in fabricating the conduit for conditioned air conveyance.

Ductwork Construction:

- **Unlined** – Most commonly receives external insulation after installation of the product
- **Acoustically lined** – Internally lined to achieve required R value and acoustic properties. All fittings to be Double-Wall construction. Sizes may require DBWL constructed pipe
- **Double-Wall lined (DBWL)** – Internally lined ductwork which is secured by an internal layer of metal. 23% O.A. with 3/32" holes, on 3/16" staggered perforated and solid inner-walls, standard. Custom perforations available

Connections:

- Slip-Fit couplings – Ideal for smaller dimensions and where space is limited
- Flanged – Recommended for all DBWL from 12" Minor and above, and where Major dimension exceeds 1.5X the Minor

In addition to Spiral Oval fabrications, **MKT** offers our customers the option to include various products and services.

Accessories:

- Grill Boxes – (installed or loose)
- Taps/Take-offs – HETOs, Conical, Bell-mouth, Air-Tites, Etc.
- Balancing Dampers – Single-blade (installed or loose)
- Several products to complete the required scope of ductwork available

Services:

To compliment our quality fabricated products, **MKT** provides value adding services.

- Mounting/cutting in of saddle taps, grill boxes, dampers, etc.
- Cut to Length materials to meet demands of coordination

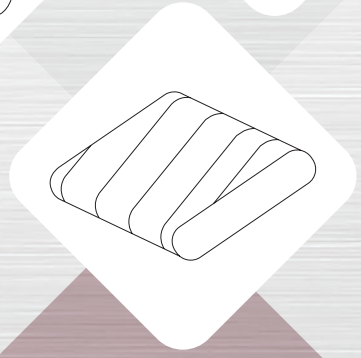
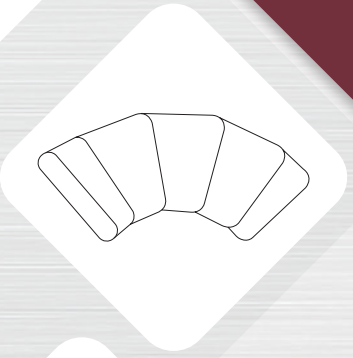
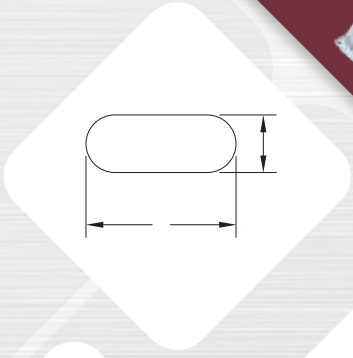
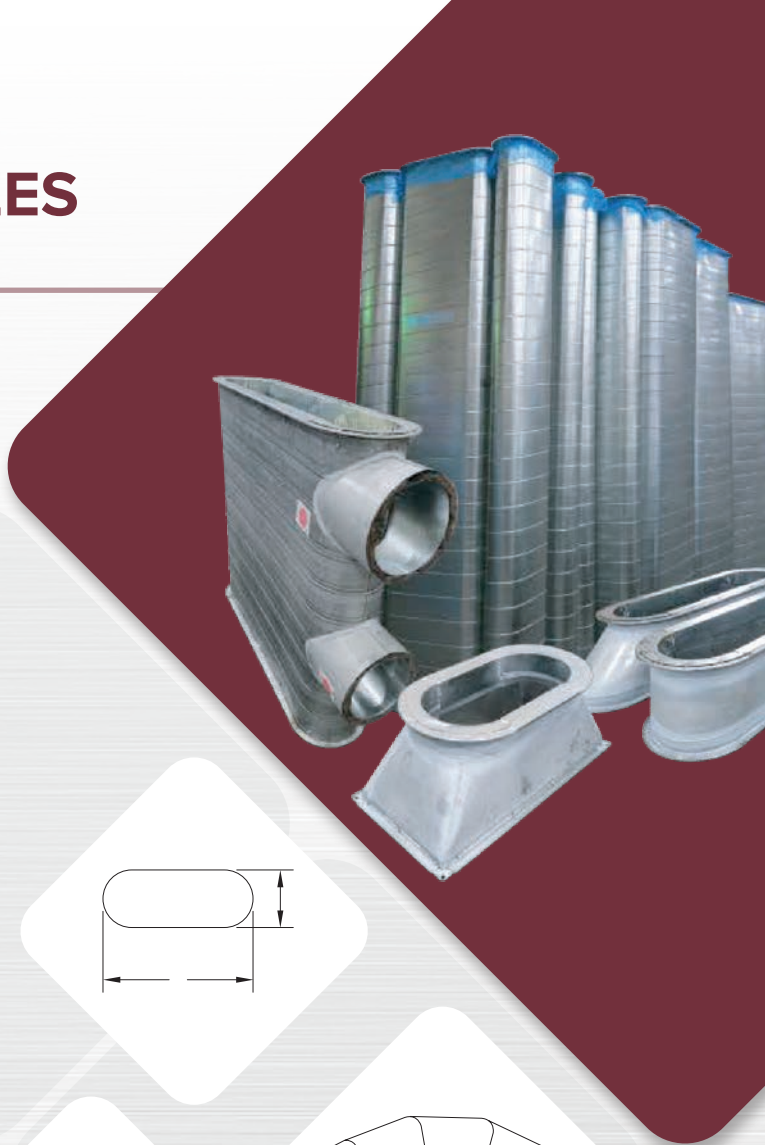
- **DIAMETERS PRODUCED:** Minor dimension from 6" to 30"
- **LENGTHS PRODUCED:** Standardized 8' lengths, W.G. and sizes may dictate lesser lengths
- **GAUGES:** 18-24: Galvanized and Galvannealed steel, 20-24: Stainless Steel, and 18:Aluminum

INNOVATIVE ♦ PROGRESSIVE ♦ CONSISTENT

OVAL SIZES

Please note that Spiral Oval is made from Spiral pipe materials, which limits the achievable dimensions. To assist in design and ordering, the chart below lists the common oval dimensions available by MKT Metal Mfg.

	← MINOR AXIS →								
MAJOR AXIS ↑	8	10	12	14	16	18	20	22	24
	17.8	-	-	-	-	-	-	-	-
	19.3	18.2	-	-	-	-	-	-	-
	20.9	19.8	18.6	-	-	-	-	-	-
	22.5	21.3	20.2	-	-	-	-	-	-
	24.1	22.9	21.8	20.6	-	-	-	-	-
	25.6	24.5	23.4	22.2	21.1	-	-	-	-
	27.2	26.1	24.9	23.8	22.7	-	-	-	-
	30.4	29.3	28.1	27	25.8	24.7	-	-	-
	33.6	32.4	31.3	30.1	29	27.9	26.7	-	-
	36.7	35.6	34.4	33.3	32.2	31	29.9	28.7	-
	39.9	38.7	37.6	36.5	35.3	34.2	33	31.9	30.7
	43	41.9	40.8	39.6	38.5	37.3	36.2	35.1	33.9
	46.2	45.1	43.9	42.78	41.6	40.5	39.4	38.2	37.1
	49.4	48.2	47.1	46	44.8	43.7	42.5	41.4	40.2
	52.5	51.4	50.3	49.1	48	46.8	45.7	44.5	43.4
	55.7	54.6	53.4	52.3	51.1	50	48.5	47.7	46.6
	58.9	57.7	56.6	55.4	54.3	53.2	52	50.9	49.7
	62	60.9	59.7	58.6	57.5	56.3	55.2	54	52.9
	65.2	64.1	62.9	61.8	60.6	59.5	58.3	57.2	56.1
	68.3	67.2	66.1	64.9	63.8	62.7	61.5	60.4	59.2
	71.5	70.4	69.2	68.1	67	65.8	64.7	63.5	62.4
	74.7	73.5	72.4	71.3	70.1	69	67.8	66.7	65.6
	77.8	76.7	75.6	74.4	73.3	72.1	70.9	69.9	68.7
	81	79.9	78.7	77.6	76.5	75.3	74.2	73	71.9
	84.2	83	81.9	80.7	79.6	78.5	77.3	76.2	75
	-	86.2	85.1	83.9	82.8	81.6	80.5	79.3	78.2
	-	-	-	87.1	85.9	84.8	83.7	82.5	81.4
	-	-	-	-	89.1	88	86.8	85.7	84.5
	-	-	-	-	-	91.1	90	88.8	87.7
	-	-	-	-	-	-	-	95.2	94



- **LENGTHS PRODUCED:** Standard - 8 foot lengths, W.G. and sizes may dictate lesser lengths
- **GAUGES:** 18-24: Galvanized and Galvannealed steel, 20-24: Stainless Steel, and 18: Aluminum
- **FITTINGS:** All Oval fittings are fabricated with welded seams